

LM35 Precision Centigrade Temperature Sensors

FEATURES

- **Calibrated Directly in ° Celsius (Centigrade)**
- **Linear + 10 mV/°C Scale Factor**
- **0.5°C Ensured Accuracy (at +25°C)**
- **Rated for Full –55°C to +150°C Range**
- **Suitable for Remote Applications**
- **Low Cost Due to Wafer-Level Trimming**
- **Operates from 4 to 30 V**
- **Less than 60-µA Current Drain**
- **Low Self-Heating, 0.08°C in Still Air**
- **Nonlinearity Only ±¼°C Typical**
- **Low Impedance Output, 0.1 Ω for 1 mA Load**

DESCRIPTION

The LM35 series are precision integrated-circuit temperature sensors, with an output voltage linearly proportional to the Centigrade temperature. Thus the LM35 has an advantage over linear temperature sensors calibrated in ° Kelvin, as the user is not required to subtract a large constant voltage from the output to obtain convenient Centigrade scaling. The LM35 does not require any external calibration or trimming to provide typical accuracies of ±¼°C at room temperature and ±¾°C over a full –55°C to +150°C temperature range. Low cost is assured by trimming and calibration at the wafer level. The low output impedance, linear output, and precise inherent calibration of the LM35 make interfacing to readout or control circuitry especially easy. The device is used with single power supplies, or with plus and minus supplies. As the LM35 draws only 60 µA from the supply, it has very low self-heating of less than 0.1°C in still air. The LM35 is rated to operate over a –55°C to +150°C temperature range, while the LM35C is rated for a –40°C to +110°C range (–10° with improved accuracy). The LM35 series is available packaged in hermetic TO transistor packages, while the LM35C, LM35CA, and LM35D are also available in the plastic TO-92 transistor package. The LM35D is also available in an 8-lead surface-mount small-outline package and a plastic TO-220 package.

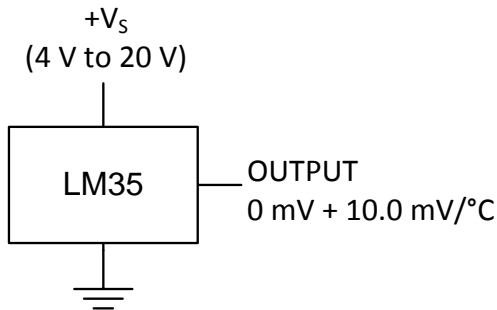
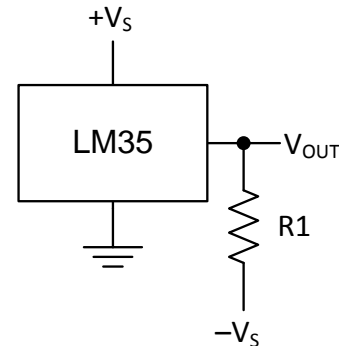


Figure 1. Basic Centigrade Temperature Sensor (+2°C to +150°C)



Choose $R_1 = -V_S / 50 \mu\text{A}$
 $V_{\text{OUT}} = 1500 \text{ mV at } 150^\circ\text{C}$
 $V_{\text{OUT}} = 250 \text{ mV at } 25^\circ\text{C}$
 $V_{\text{OUT}} = -550 \text{ mV at } -55^\circ\text{C}$

Figure 2. Full-Range Centigrade Temperature Sensor



Please be aware that an important notice concerning availability, standard warranty, and use in critical applications of Texas Instruments semiconductor products and disclaimers thereto appears at the end of this data sheet.

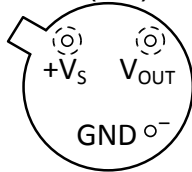
All trademarks are the property of their respective owners.



These devices have limited built-in ESD protection. The leads should be shorted together or the device placed in conductive foam during storage or handling to prevent electrostatic damage to the MOS gates.

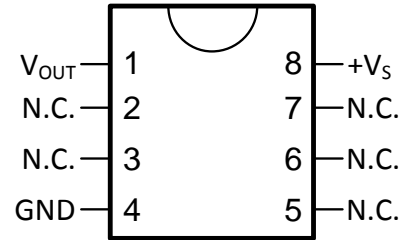
CONNECTION DIAGRAMS

METAL CAN PACKAGE TO (NDV)



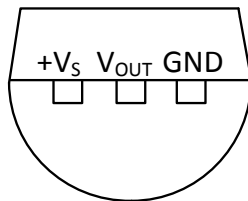
Case is connected to negative pin (GND)

SMALL-OUTLINE MOLDED PACKAGE SOIC-8 (D) TOP VIEW

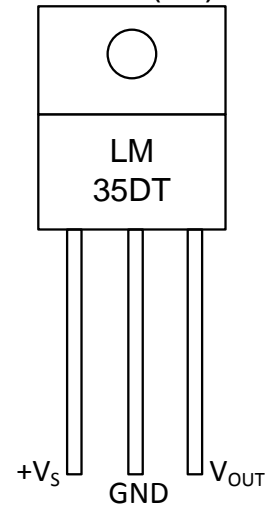


N.C. = No connection

PLASTIC PACKAGE TO-92 (LP) BOTTOM VIEW



PLASTIC PACKAGE TO-220 (NEB)



Tab is connected to the negative pin (GND).

NOTE: The LM35DT pinout is different than the discontinued LM35DP

ABSOLUTE MAXIMUM RATINGS⁽¹⁾⁽²⁾

		MIN	MAX	UNIT
Supply voltage		-0.2	35	V
Output voltage		-1	6	V
Output current			10	mA
Electrostatic discharge (ESD) susceptibility ⁽³⁾			2500	V
Storage temperature	TO Package	-60	180	°C
	TO-92 Package	-60	150	
	TO-220 Package	-65	150	
	SOIC-8 Package	-65	150	
Lead temperature	TO Package (soldering, 10 seconds)		300	°C
	TO-92 and TO-220 Package (soldering, 10 seconds)		260	
	SOIC Package	Infrared (15 seconds)	220	
		Vapor phase (60 seconds)	215	
Specified operating temperature range: T_{MIN} to T_{MAX} ⁽⁴⁾	LM35, LM35A	-55	150	°C
	LM35C, LM35CA	-40	110	
	LM35D	0	100	

- (1) If Military/Aerospace specified devices are required, please contact the Texas Instruments Sales Office/ Distributors for availability and specifications.
- (2) Absolute Maximum Ratings indicate limits beyond which damage to the device may occur. DC and AC electrical specifications do not apply when operating the device beyond its rated operating conditions. See [Note 1](#).
- (3) Human body model, 100 pF discharged through a 1.5-k Ω resistor.
- (4) Thermal resistance of the TO-46 package is 400°C/W, junction to ambient, and 24°C/W junction to case. Thermal resistance of the TO-92 package is 180°C/W junction to ambient. Thermal resistance of the small outline molded package is 220°C/W junction to ambient. Thermal resistance of the TO-220 package is 90°C/W junction to ambient. For additional thermal resistance information see table in the [APPLICATIONS](#) section.

ELECTRICAL CHARACTERISTICS⁽¹⁾⁽²⁾

PARAMETER	TEST CONDITIONS	LM35A			LM35CA			UNITS (MAX.)
		TYP	TESTED LIMIT ⁽³⁾	DESIGN LIMIT ⁽⁴⁾	TYP	TESTED LIMIT ⁽³⁾	DESIGN LIMIT ⁽⁴⁾	
Accuracy ⁽⁵⁾	$T_A = 25^\circ\text{C}$	± 0.2	± 0.5		± 0.2	± 0.5		°C
	$T_A = -10^\circ\text{C}$	± 0.3			± 0.3		± 1	
	$T_A = T_{MAX}$	± 0.4	± 1		± 0.4	± 1		
	$T_A = T_{MIN}$	± 0.4	± 1		± 0.4		± 1.5	
Nonlinearity ⁽⁶⁾	$T_{MIN} \leq T_A \leq T_{MAX}$	± 0.18		± 0.35	± 0.15		± 0.3	°C
Sensor gain (average slope)	$T_{MIN} \leq T_A \leq T_{MAX}$	+10	+9.9, +10.1		+10		+9.9, +10.1	mV/°C
Load regulation ⁽⁷⁾ $0 \leq I_L \leq 1 \text{ mA}$	$T_A = 25^\circ\text{C}$	± 0.4	± 1		± 0.4	± 1		mV/mA
	$T_{MIN} \leq T_A \leq T_{MAX}$	± 0.5		± 3	± 0.5		± 3	
Line regulation ⁽⁷⁾	$T_A = 25^\circ\text{C}$	± 0.01	± 0.05		± 0.01	± 0.05		mV/V
	$4 \text{ V} \leq V_S \leq 30 \text{ V}$	± 0.02		± 0.1	± 0.02		± 0.1	

- (1) Unless otherwise noted, these specifications apply: $-55^\circ\text{C} \leq T_J \leq 150^\circ\text{C}$ for the LM35 and LM35A; $-40^\circ\text{C} \leq T_J \leq 110^\circ\text{C}$ for the LM35C and LM35CA; and $0^\circ\text{C} \leq T_J \leq 100^\circ\text{C}$ for the LM35D. $V_S = 5 \text{ Vdc}$ and $I_{LOAD} = 50 \mu\text{A}$, in the circuit of [Figure 2](#). These specifications also apply from $+2^\circ\text{C}$ to T_{MAX} in the circuit of [Figure 1](#). Specifications in boldface apply over the full rated temperature range.
- (2) Specifications in boldface apply over the full rated temperature range.
- (3) Tested Limits are ensured and 100% tested in production.
- (4) Design Limits are ensured (but not 100% production tested) over the indicated temperature and supply voltage ranges. These limits are not used to calculate outgoing quality levels.
- (5) Accuracy is defined as the error between the output voltage and 10 mV/°C times the case temperature of the device, at specified conditions of voltage, current, and temperature (expressed in °C).
- (6) Nonlinearity is defined as the deviation of the output-voltage-versus-temperature curve from the best-fit straight line, over the rated temperature range of the device.
- (7) Regulation is measured at constant junction temperature, using pulse testing with a low duty cycle. Changes in output due to heating effects can be computed by multiplying the internal dissipation by the thermal resistance.

ELECTRICAL CHARACTERISTICS⁽¹⁾⁽²⁾ (continued)

PARAMETER	TEST CONDITIONS	LM35A			LM35CA			UNITS (MAX.)
		TYP	TESTED LIMIT ⁽³⁾	DESIGN LIMIT ⁽⁴⁾	TYP	TESTED LIMIT ⁽³⁾	DESIGN LIMIT ⁽⁴⁾	
Quiescent current ⁽⁸⁾	$V_S = 5\text{ V}, 25^\circ\text{C}$	56	67		56	67		μA
	$V_S = 5\text{ V}$	105		131	91		114	
	$V_S = 30\text{ V}, 25^\circ\text{C}$	56.2	68		56.2	68		
	$V_S = 30\text{ V}$	105.5		133	91.5		116	
Change of quiescent current ⁽⁷⁾	$4\text{ V} \leq V_S \leq 30\text{ V}, 25^\circ\text{C}$	0.2	1		0.2	1		μA
	$4\text{ V} \leq V_S \leq 30\text{ V}$	0.5		2	0.5		2	
Temperature coefficient of quiescent current		+0.39		+0.5	+0.39		+0.5	$\mu\text{A}/^\circ\text{C}$
Minimum temperature for rate accuracy	In circuit of Figure 1 , $I_L = 0$	+1.5		+2	+1.5		+2	$^\circ\text{C}$
Long term stability	$T_J = T_{\text{MAX}}$, for 1000 hours	± 0.08			± 0.08			$^\circ\text{C}$

(8) Quiescent current is defined in the circuit of [Figure 1](#).

ELECTRICAL CHARACTERISTICS⁽¹⁾⁽²⁾

PARAMETER	TEST CONDITIONS	LM35			LM35C, LM35D			UNITS (MAX.)
		TYP	TESTED LIMIT ⁽³⁾	DESIGN LIMIT ⁽⁴⁾	TYP	TESTED LIMIT ⁽³⁾	DESIGN LIMIT ⁽⁴⁾	
Accuracy, LM35, LM35C ⁽⁵⁾	$T_A = 25^\circ\text{C}$	± 0.4	± 1		± 0.4	± 1		$^\circ\text{C}$
	$T_A = -10^\circ\text{C}$	± 0.5			± 0.5		± 1.5	
	$T_A = T_{\text{MAX}}$	± 0.8	± 1.5		± 0.8		± 1.5	
	$T_A = T_{\text{MIN}}$	± 0.8		± 1.5	± 0.8		± 2	
Accuracy, LM35D ⁽⁵⁾	$T_A = 25^\circ\text{C}$				± 0.6	± 1.5		$^\circ\text{C}$
	$T_A = T_{\text{MAX}}$				± 0.9		± 2	
	$T_A = T_{\text{MIN}}$				± 0.9		± 2	
Nonlinearity ⁽⁶⁾	$T_{\text{MIN}} \leq T_A \leq T_{\text{MAX}}$	± 0.3		± 0.5	± 0.2		± 0.5	$^\circ\text{C}$
Sensor gain (average slope)	$T_{\text{MIN}} \leq T_A \leq T_{\text{MAX}}$	+10	+9.8, +10.2		+10		+9.8, +10.2	$\text{mV}/^\circ\text{C}$
Load regulation ⁽⁷⁾ $0 \leq I_L \leq 1\text{ mA}$	$T_A = 25^\circ\text{C}$	± 0.4	± 2		± 0.4	± 2		mV/mA
	$T_{\text{MIN}} \leq T_A \leq T_{\text{MAX}}$	± 0.5		± 5	± 0.5		± 5	
Line regulation ⁽⁷⁾	$T_A = 25^\circ\text{C}$	± 0.01	± 0.1		± 0.01	± 0.1		mV/V
	$4\text{ V} \leq V_S \leq 30\text{ V}$	± 0.02		± 0.2	± 0.02		± 0.2	

- (1) Unless otherwise noted, these specifications apply: $-55^\circ\text{C} \leq T_J \leq 150^\circ\text{C}$ for the LM35 and LM35A; $-40^\circ\text{C} \leq T_J \leq 110^\circ\text{C}$ for the LM35C and LM35CA; and $0^\circ\text{C} \leq T_J \leq 100^\circ\text{C}$ for the LM35D. $V_S = 5\text{ Vdc}$ and $I_{\text{LOAD}} = 50\text{ }\mu\text{A}$, in the circuit of [Figure 2](#). These specifications also apply from $+2^\circ\text{C}$ to T_{MAX} in the circuit of [Figure 1](#). Specifications in boldface apply over the full rated temperature range.
- (2) Specifications in boldface apply over the full rated temperature range.
- (3) Tested Limits are ensured and 100% tested in production.
- (4) Design Limits are ensured (but not 100% production tested) over the indicated temperature and supply voltage ranges. These limits are not used to calculate outgoing quality levels.
- (5) Accuracy is defined as the error between the output voltage and $10\text{ mV}/^\circ\text{C}$ times the case temperature of the device, at specified conditions of voltage, current, and temperature (expressed in $^\circ\text{C}$).
- (6) Nonlinearity is defined as the deviation of the output-voltage-versus-temperature curve from the best-fit straight line, over the rated temperature range of the device.
- (7) Regulation is measured at constant junction temperature, using pulse testing with a low duty cycle. Changes in output due to heating effects can be computed by multiplying the internal dissipation by the thermal resistance.

ELECTRICAL CHARACTERISTICS⁽¹⁾⁽²⁾ (continued)

PARAMETER	TEST CONDITIONS	LM35			LM35C, LM35D			UNITS (MAX.)
		TYP	TESTED LIMIT ⁽³⁾	DESIGN LIMIT ⁽⁴⁾	TYP	TESTED LIMIT ⁽³⁾	DESIGN LIMIT ⁽⁴⁾	
Quiescent current ⁽⁸⁾	$V_S = 5\text{ V}, 25^\circ\text{C}$	56	80		56	80		μA
	$V_S = 5\text{ V}$	105		158	91		138	
	$V_S = 30\text{ V}, 25^\circ\text{C}$	56.2	82		56.2	82		
	$V_S = 30\text{ V}$	105.5		161	91.5		141	
Change of quiescent current ⁽⁹⁾	$4\text{ V} \leq V_S \leq 30\text{ V}, 25^\circ\text{C}$	0.2	2		0.2	2		μA
	$4\text{ V} \leq V_S \leq 30\text{ V}$	0.5		3	0.5		3	
Temperature coefficient of quiescent current		+0.39		+0.7	+0.39		+0.7	$\mu\text{A}/^\circ\text{C}$
Minimum temperature for rate accuracy	In circuit of Figure 1 , $I_L = 0$	+1.5		+2	+1.5		+2	$^\circ\text{C}$
Long term stability	$T_J = T_{MAX}$, for 1000 hours	± 0.08			± 0.08			$^\circ\text{C}$

(8) Quiescent current is defined in the circuit of [Figure 1](#).

(9) Regulation is measured at constant junction temperature, using pulse testing with a low duty cycle. Changes in output due to heating effects can be computed by multiplying the internal dissipation by the thermal resistance.

TYPICAL PERFORMANCE CHARACTERISTICS

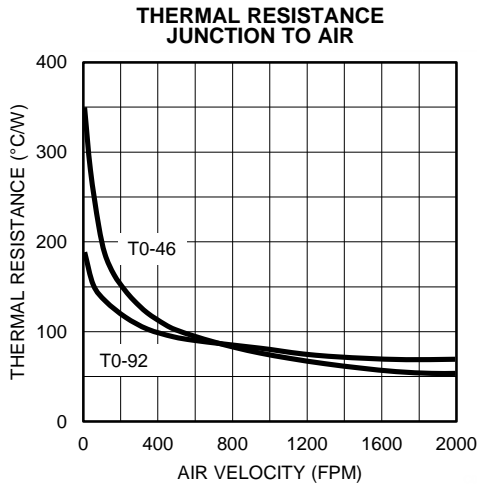


Figure 3.

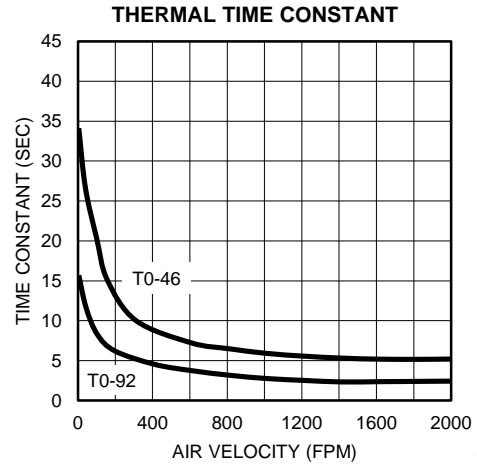


Figure 4.

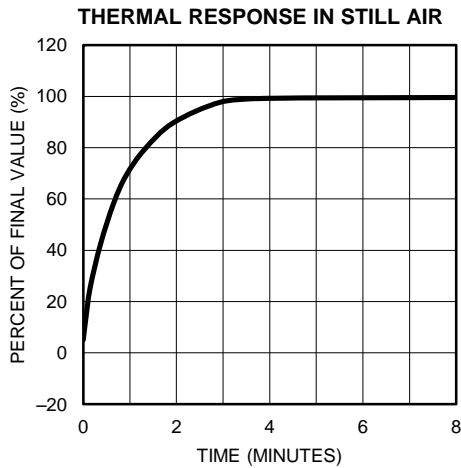


Figure 5.

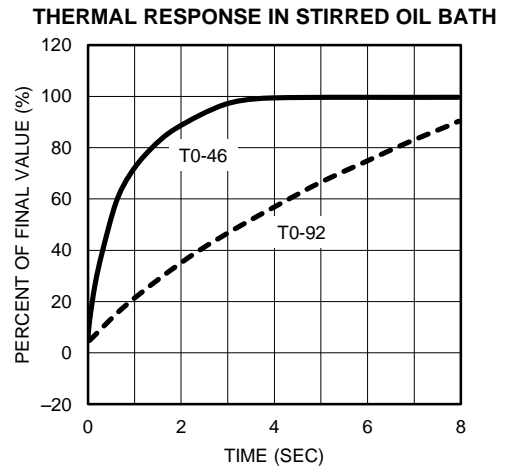


Figure 6.

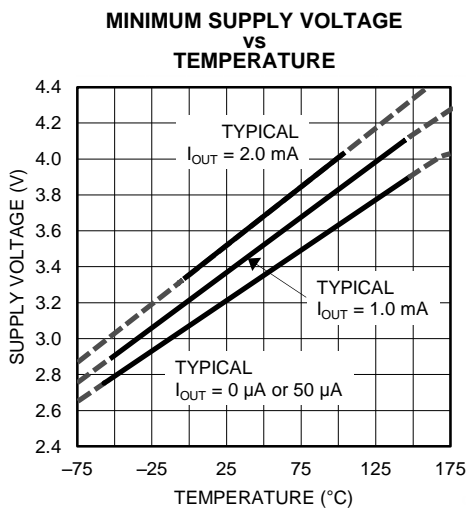


Figure 7.

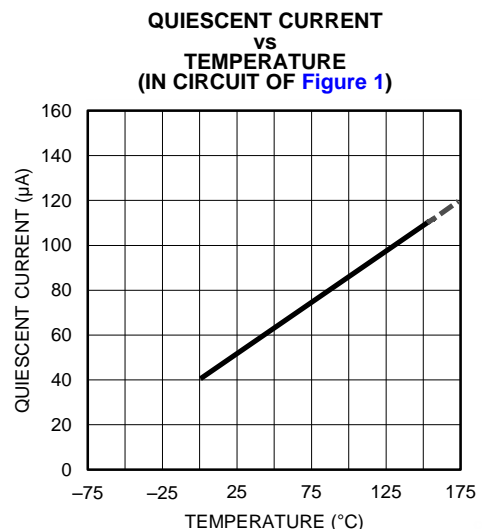


Figure 8.

TYPICAL PERFORMANCE CHARACTERISTICS (continued)

**QUIESCENT CURRENT
VS
TEMPERATURE
(IN CIRCUIT OF Figure 2)**

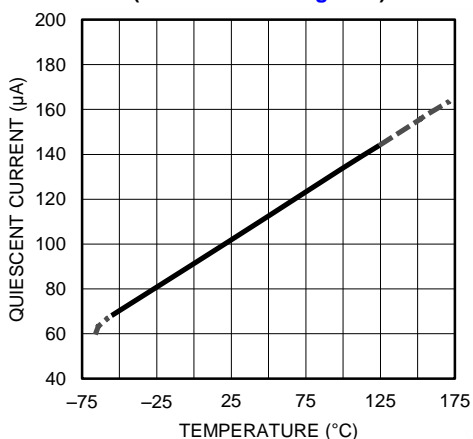


Figure 9.

**ACCURACY
VS
TEMPERATURE (ENSURED)**

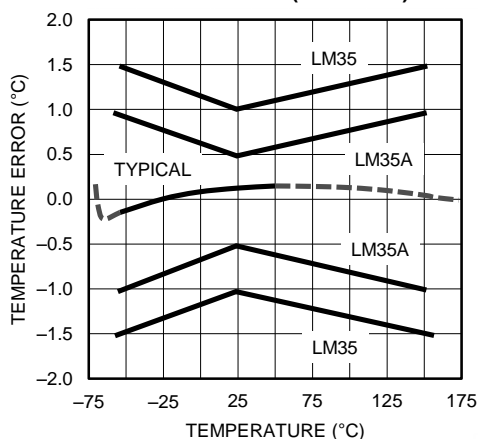


Figure 10.

**ACCURACY
VS
TEMPERATURE (ENSURED)**

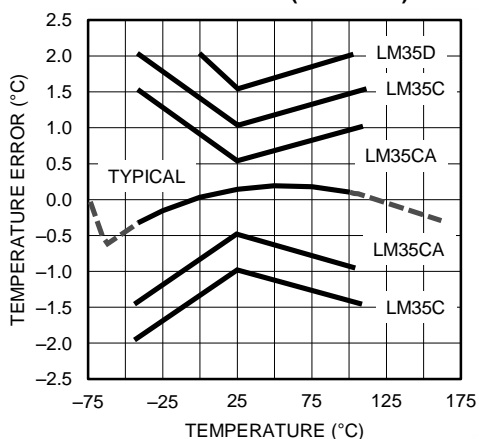


Figure 11.

NOISE VOLTAGE

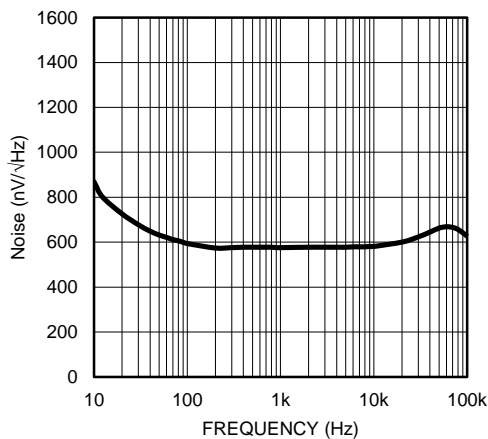


Figure 12.

START-UP RESPONSE

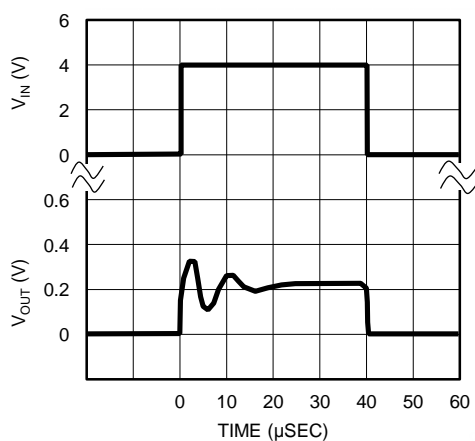


Figure 13.

APPLICATIONS

The LM35 is applied easily in the same way as other integrated-circuit temperature sensors. Glue or cement the device to a surface and the temperature should be within about 0.01°C of the surface temperature.

This presumes that the ambient air temperature is almost the same as the surface temperature. If the air temperature were much higher or lower than the surface temperature, the actual temperature of the LM35 die would be at an intermediate temperature between the surface temperature and the air temperature, which is especially true for the TO-92 plastic package where the copper leads are the principal thermal path to carry heat into the device, so its temperature might be closer to the air temperature than to the surface temperature.

To minimize this problem, ensure that the wiring to the LM35, as it leaves the device, is held at the same temperature as the surface of interest. The easiest way to do this is to cover up these wires with a bead of epoxy which will insure that the leads and wires are all at the same temperature as the surface, and that the temperature of the LM35 die is not affected by the air temperature.

The TO-46 metal package can also be soldered to a metal surface or pipe without damage. Of course, in that case the V- terminal of the circuit will be grounded to that metal. Alternatively, mount the LM35 inside a sealed-end metal tube, and then dip into a bath or screw into a threaded hole in a tank. As with any IC, the LM35 and accompanying wiring and circuits must be kept insulated and dry, to avoid leakage and corrosion. This is especially true if the circuit may operate at cold temperatures where condensation can occur. Printed-circuit coatings and varnishes such as Humiseal and epoxy paints or dips are often used to insure that moisture cannot corrode the LM35 or its connections.

These devices are sometimes soldered to a small light-weight heat fin to decrease the thermal time constant and speed up the response in slowly-moving air. On the other hand, a small thermal mass may be added to the sensor, to give the steadiest reading despite small deviations in the air temperature.

Table 1. Temperature Rise of LM35 Due To Self-heating (Thermal Resistance, θ_{JA})

	TO, no heat sink	TO ⁽¹⁾ , small heat fin	TO-92, no heat sink	TO-92 ⁽²⁾ , small heat fin	SOIC-8, no heat sink	SOIC-8 ⁽²⁾ , small heat fin	TO-220, no heat sink
Still air	400°C/W	100°C/W	180°C/W	140°C/W	220°C/W	110°C/W	90°C/W
Moving air	100°C/W	40°C/W	90°C/W	70°C/W	105°C/W	90°C/W	26°C/W
Still oil	100°C/W	40°C/W	90°C/W	70°C/W			
Stirred oil	50°C/W	30°C/W	45°C/W	40°C/W			
(Clamped to metal, Infinite heat sink)	(24°C/W)				(55°C/W)		

(1) Wakefield type 201, or 1-in disc of 0.02-in sheet brass, soldered to case, or similar.

(2) TO-92 and SOIC-8 packages glued and leads soldered to 1-in square of 1/16-in printed circuit board with 2-oz foil or similar.

TYPICAL APPLICATIONS

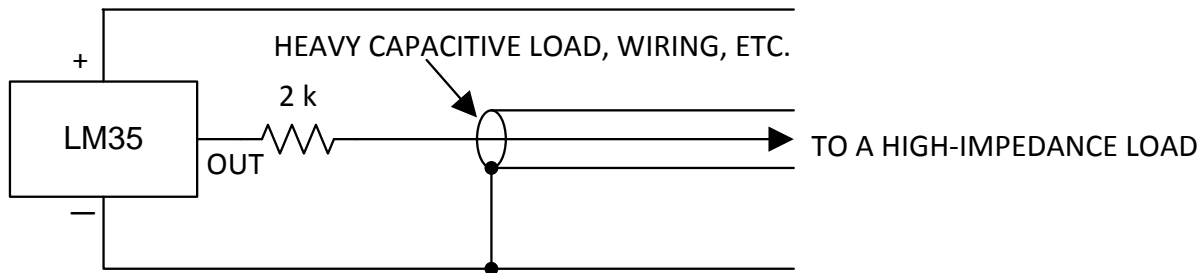


Figure 14. LM35 with Decoupling from Capacitive Load

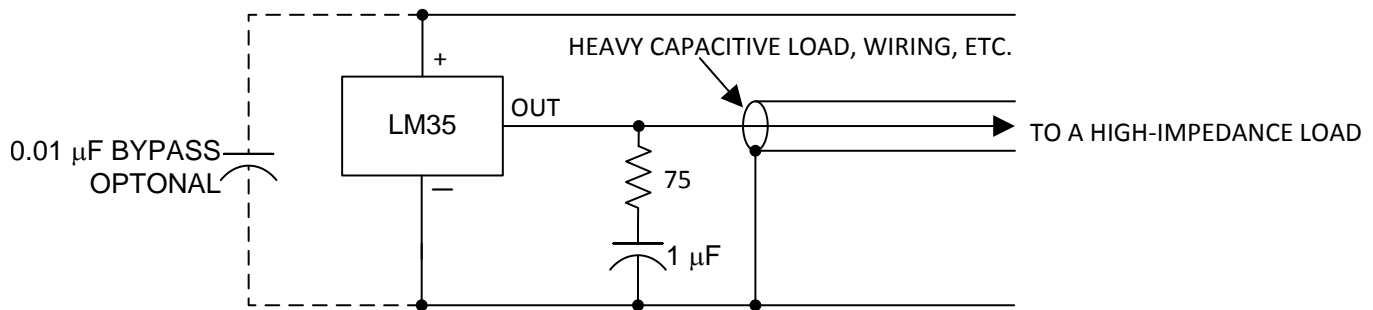


Figure 15. LM35 with R-C Damper

CAPACITIVE LOADS

Like most micropower circuits, the LM35 has a limited ability to drive heavy capacitive loads. The LM35 alone is able to drive 50 pF without special precautions. If heavier loads are anticipated, isolating or decoupling the load with a resistor is easy (see [Figure 14](#)). Or you can improve the tolerance of capacitance with a series R-C damper from output to ground (see [Figure 15](#)).

When the LM35 is applied with a 200-Ω load resistor as shown in [Figure 16](#), [Figure 17](#), or [Figure 19](#), the device is relatively immune to wiring capacitance because the capacitance forms a bypass from ground to input and not on the output. However, as with any linear circuit connected to wires in a hostile environment, performance is affected adversely by intense electromagnetic sources such as relays, radio transmitters, motors with arcing brushes, and SCR transients, as the wiring acts as a receiving antenna and the internal junctions act as rectifiers. For best results in such cases, a bypass capacitor from V_{IN} to ground and a series R-C damper, such as 75 Ω, in series with 0.2 or 1 μF from output to ground are often useful. These are shown in [Figure 24](#), [Figure 24](#), and [Figure 27](#).

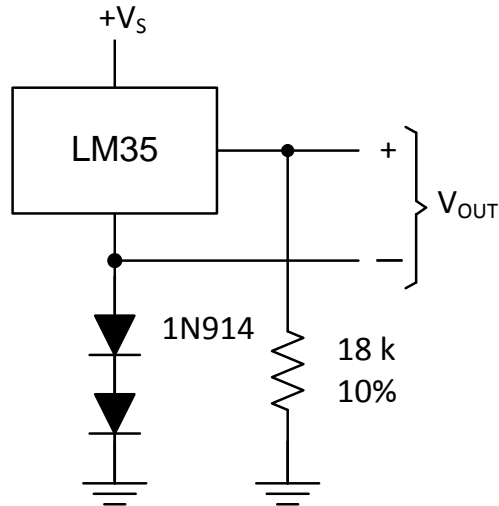


Figure 18. Temperature Sensor, Single Supply
(-55° to +150°C)

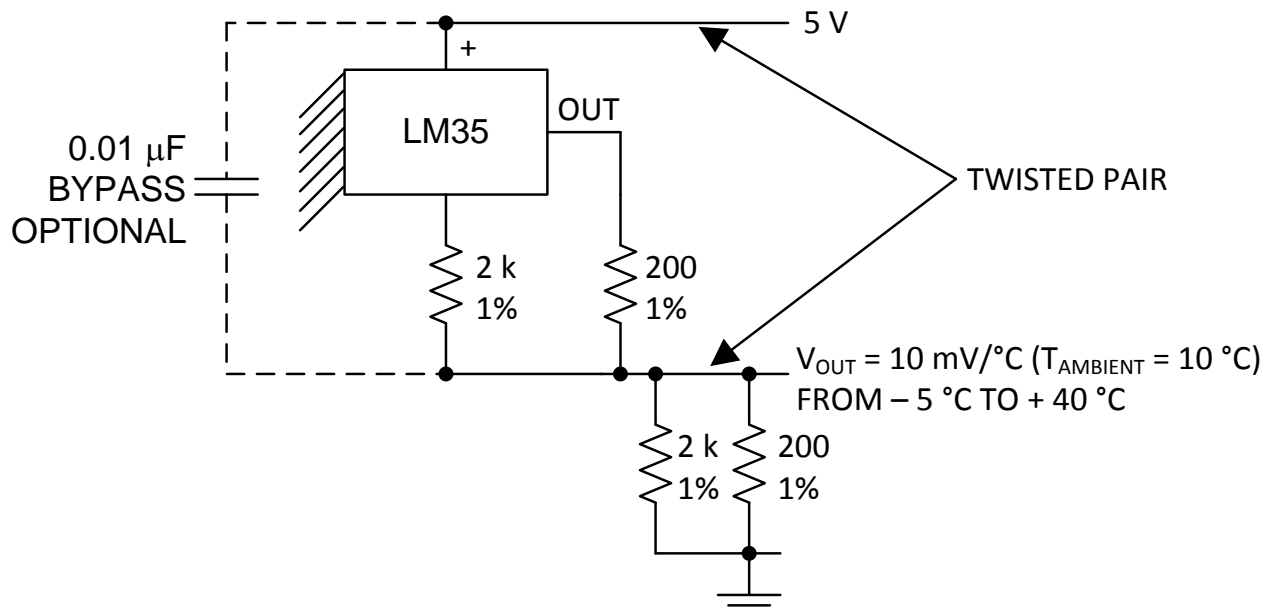


Figure 19. Two-Wire Remote Temperature Sensor
(Output Referred to Ground)

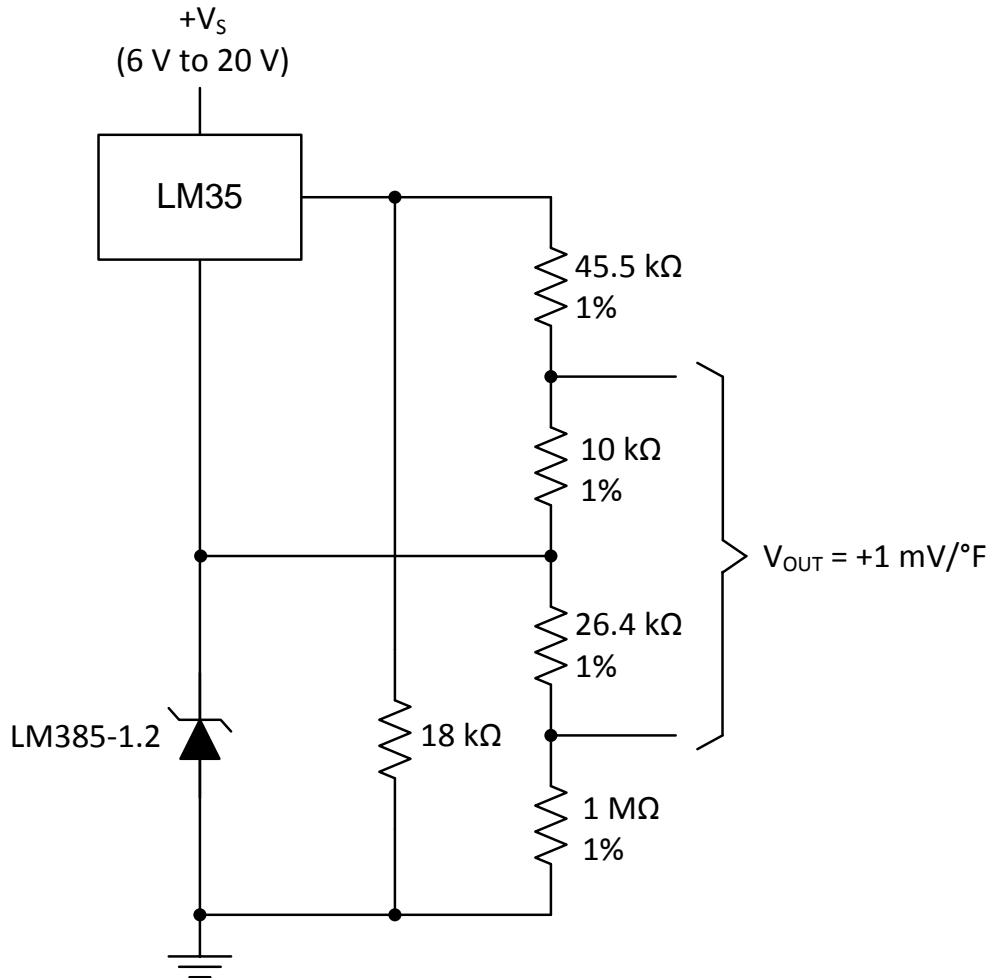


Figure 21. Fahrenheit Thermometer

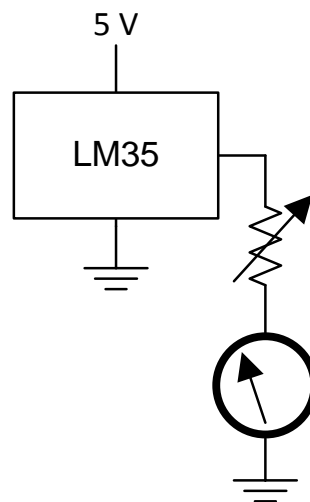


Figure 22. Centigrade Thermometer (Analog Meter)

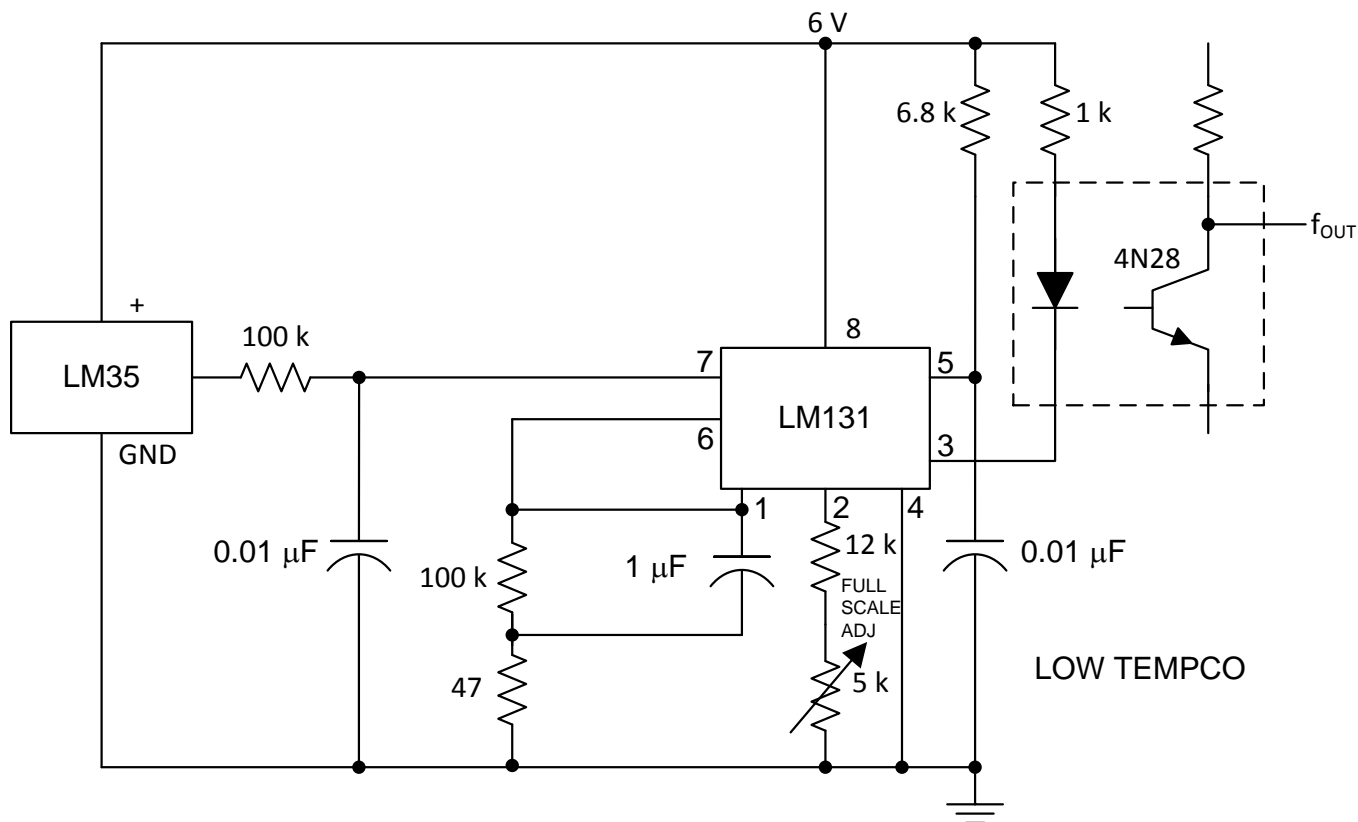


Figure 27. LM35 With Voltage-To-Frequency Converter And Isolated Output (2°C to 150°C; 20 to 1500 Hz)

REVISION HISTORY

Changes from Revision C (July 2013) to Revision D	Page
• Changed W to Ω	1
• Changed W to Ω	3
• Changed W to Ω	9

PACKAGING INFORMATION

Orderable Device	Status (1)	Package Type	Package Drawing	Pins	Package Qty	Eco Plan (2)	Lead/Ball Finish (6)	MSL Peak Temp (3)	Op Temp (°C)	Device Marking (4/5)	Samples
LM35AH	ACTIVE	TO	NDV	3	1000	TBD	Call TI	Call TI	-55 to 150	LM35AH	Samples
LM35AH/NOPB	ACTIVE	TO	NDV	3	1000	Green (RoHS & no Sb/Br)	Call TI POST-PLATE	Level-1-NA-UNLIM	-55 to 150	LM35AH	Samples
LM35CAH	ACTIVE	TO	NDV	3	1000	TBD	Call TI	Call TI	-40 to 110	LM35CAH	Samples
LM35CAH/NOPB	ACTIVE	TO	NDV	3	1000	Green (RoHS & no Sb/Br)	Call TI POST-PLATE	Level-1-NA-UNLIM	-40 to 110	LM35CAH	Samples
LM35CAZ/LFT4	ACTIVE	TO-92	LP	3	2000	Green (RoHS & no Sb/Br)	CU SN	N / A for Pkg Type		LM35 CAZ	Samples
LM35CAZ/NOPB	ACTIVE	TO-92	LP	3	1800	Green (RoHS & no Sb/Br)	CU SN	N / A for Pkg Type	-40 to 110	LM35 CAZ	Samples
LM35CH	ACTIVE	TO	NDV	3	1000	TBD	Call TI	Call TI	-40 to 110	LM35CH	Samples
LM35CH/NOPB	ACTIVE	TO	NDV	3	1000	Green (RoHS & no Sb/Br)	Call TI POST-PLATE	Level-1-NA-UNLIM	-40 to 110	LM35CH	Samples
LM35CZ/LFT1	ACTIVE	TO-92	LP	3	2000	Green (RoHS & no Sb/Br)	CU SN	N / A for Pkg Type		LM35 CZ	Samples
LM35CZ/LFT4	ACTIVE	TO-92	LP	3	2000	TBD	Call TI	Call TI			Samples
LM35CZ/NOPB	ACTIVE	TO-92	LP	3	1800	Green (RoHS & no Sb/Br)	CU SN	N / A for Pkg Type	-40 to 110	LM35 CZ	Samples
LM35DH	ACTIVE	TO	NDV	3	1000	TBD	Call TI	Call TI	0 to 70	LM35DH	Samples
LM35DH/NOPB	ACTIVE	TO	NDV	3	1000	Green (RoHS & no Sb/Br)	POST-PLATE	Level-1-NA-UNLIM	0 to 70	LM35DH	Samples
LM35DM	NRND	SOIC	D	8	95	TBD	Call TI	Call TI	0 to 100	LM35D M	
LM35DM/NOPB	ACTIVE	SOIC	D	8	95	Green (RoHS & no Sb/Br)	CU SN	Level-1-260C-UNLIM	0 to 100	LM35D M	Samples
LM35DMX	NRND	SOIC	D	8	2500	TBD	Call TI	Call TI	0 to 100	LM35D M	
LM35DMX/NOPB	ACTIVE	SOIC	D	8	2500	Green (RoHS & no Sb/Br)	CU SN	Level-1-260C-UNLIM	0 to 100	LM35D M	Samples
LM35DT	NRND	TO-220	NEB	3	45	TBD	Call TI	Call TI	0 to 100	LM35DT	

Orderable Device	Status (1)	Package Type	Package Drawing	Pins	Package Qty	Eco Plan (2)	Lead/Ball Finish (6)	MSL Peak Temp (3)	Op Temp (°C)	Device Marking (4/5)	Samples
LM35DT/NOPB	ACTIVE	TO-220	NEB	3	45	Green (RoHS & no Sb/Br)	CU SN	Level-1-NA-UNLIM	0 to 100	LM35DT	Samples
LM35DZ	OBSOLETE	TO-92	LP	3		TBD	Call TI	Call TI			
LM35DZ/LFT1	ACTIVE	TO-92	LP	3	2000	Green (RoHS & no Sb/Br)	CU SN	N / A for Pkg Type		LM35 DZ	Samples
LM35DZ/LFT2	ACTIVE	TO-92	LP	3	2000	Green (RoHS & no Sb/Br)	CU SN	N / A for Pkg Type		LM35 DZ	Samples
LM35DZ/LFT4	ACTIVE	TO-92	LP	3	2000	Green (RoHS & no Sb/Br)	CU SN	N / A for Pkg Type		LM35 DZ	Samples
LM35DZ/LFT7	ACTIVE	TO-92	LP	3	2000	Green (RoHS & no Sb/Br)	CU SN	N / A for Pkg Type		LM35 DZ	Samples
LM35DZ/NOPB	ACTIVE	TO-92	LP	3	1800	Green (RoHS & no Sb/Br)	CU SN	N / A for Pkg Type	0 to 100	LM35 DZ	Samples
LM35H	ACTIVE	TO	NDV	3	1000	TBD	Call TI	Call TI	-55 to 150	LM35H	Samples
LM35H/NOPB	ACTIVE	TO	NDV	3	1000	Green (RoHS & no Sb/Br)	Call TI POST-PLATE	Level-1-NA-UNLIM	-55 to 150	LM35H	Samples

(1) The marketing status values are defined as follows:

ACTIVE: Product device recommended for new designs.

LIFEBUY: TI has announced that the device will be discontinued, and a lifetime-buy period is in effect.

NRND: Not recommended for new designs. Device is in production to support existing customers, but TI does not recommend using this part in a new design.

PREVIEW: Device has been announced but is not in production. Samples may or may not be available.

OBSOLETE: TI has discontinued the production of the device.

(2) Eco Plan - The planned eco-friendly classification: Pb-Free (RoHS), Pb-Free (RoHS Exempt), or Green (RoHS & no Sb/Br) - please check <http://www.ti.com/productcontent> for the latest availability information and additional product content details.

TBD: The Pb-Free/Green conversion plan has not been defined.

Pb-Free (RoHS): TI's terms "Lead-Free" or "Pb-Free" mean semiconductor products that are compatible with the current RoHS requirements for all 6 substances, including the requirement that lead not exceed 0.1% by weight in homogeneous materials. Where designed to be soldered at high temperatures, TI Pb-Free products are suitable for use in specified lead-free processes.

Pb-Free (RoHS Exempt): This component has a RoHS exemption for either 1) lead-based flip-chip solder bumps used between the die and package, or 2) lead-based die adhesive used between the die and leadframe. The component is otherwise considered Pb-Free (RoHS compatible) as defined above.

Green (RoHS & no Sb/Br): TI defines "Green" to mean Pb-Free (RoHS compatible), and free of Bromine (Br) and Antimony (Sb) based flame retardants (Br or Sb do not exceed 0.1% by weight in homogeneous material)

(3) MSL, Peak Temp. - The Moisture Sensitivity Level rating according to the JEDEC industry standard classifications, and peak solder temperature.

(4) There may be additional marking, which relates to the logo, the lot trace code information, or the environmental category on the device.

⁽⁵⁾ Multiple Device Markings will be inside parentheses. Only one Device Marking contained in parentheses and separated by a "~" will appear on a device. If a line is indented then it is a continuation of the previous line and the two combined represent the entire Device Marking for that device.

⁽⁶⁾ Lead/Ball Finish - Orderable Devices may have multiple material finish options. Finish options are separated by a vertical ruled line. Lead/Ball Finish values may wrap to two lines if the finish value exceeds the maximum column width.

Important Information and Disclaimer:The information provided on this page represents TI's knowledge and belief as of the date that it is provided. TI bases its knowledge and belief on information provided by third parties, and makes no representation or warranty as to the accuracy of such information. Efforts are underway to better integrate information from third parties. TI has taken and continues to take reasonable steps to provide representative and accurate information but may not have conducted destructive testing or chemical analysis on incoming materials and chemicals. TI and TI suppliers consider certain information to be proprietary, and thus CAS numbers and other limited information may not be available for release.

In no event shall TI's liability arising out of such information exceed the total purchase price of the TI part(s) at issue in this document sold by TI to Customer on an annual basis.

TAPE AND REEL INFORMATION



QUADRANT ASSIGNMENTS FOR PIN 1 ORIENTATION IN TAPE



*All dimensions are nominal

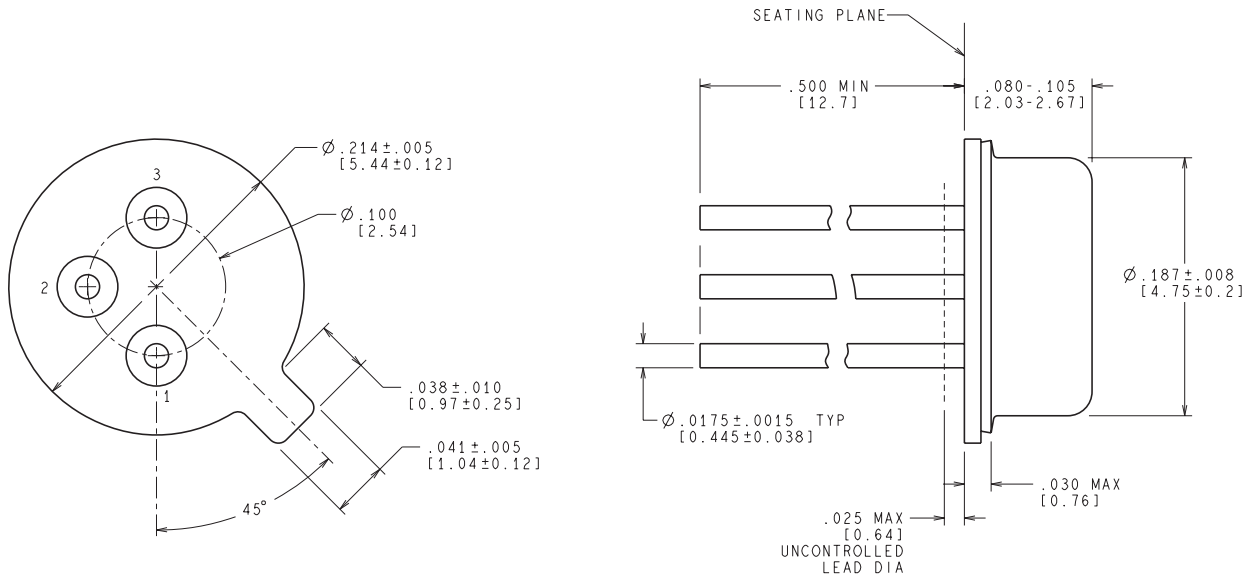
Device	Package Type	Package Drawing	Pins	SPQ	Reel Diameter (mm)	Reel Width W1 (mm)	A0 (mm)	B0 (mm)	K0 (mm)	P1 (mm)	W (mm)	Pin1 Quadrant
LM35DMX	SOIC	D	8	2500	330.0	12.4	6.5	5.4	2.0	8.0	12.0	Q1
LM35DMX/NOPB	SOIC	D	8	2500	330.0	12.4	6.5	5.4	2.0	8.0	12.0	Q1

TAPE AND REEL BOX DIMENSIONS


*All dimensions are nominal

Device	Package Type	Package Drawing	Pins	SPQ	Length (mm)	Width (mm)	Height (mm)
LM35DMX	SOIC	D	8	2500	367.0	367.0	35.0
LM35DMX/NOPB	SOIC	D	8	2500	367.0	367.0	35.0

NDV0003H

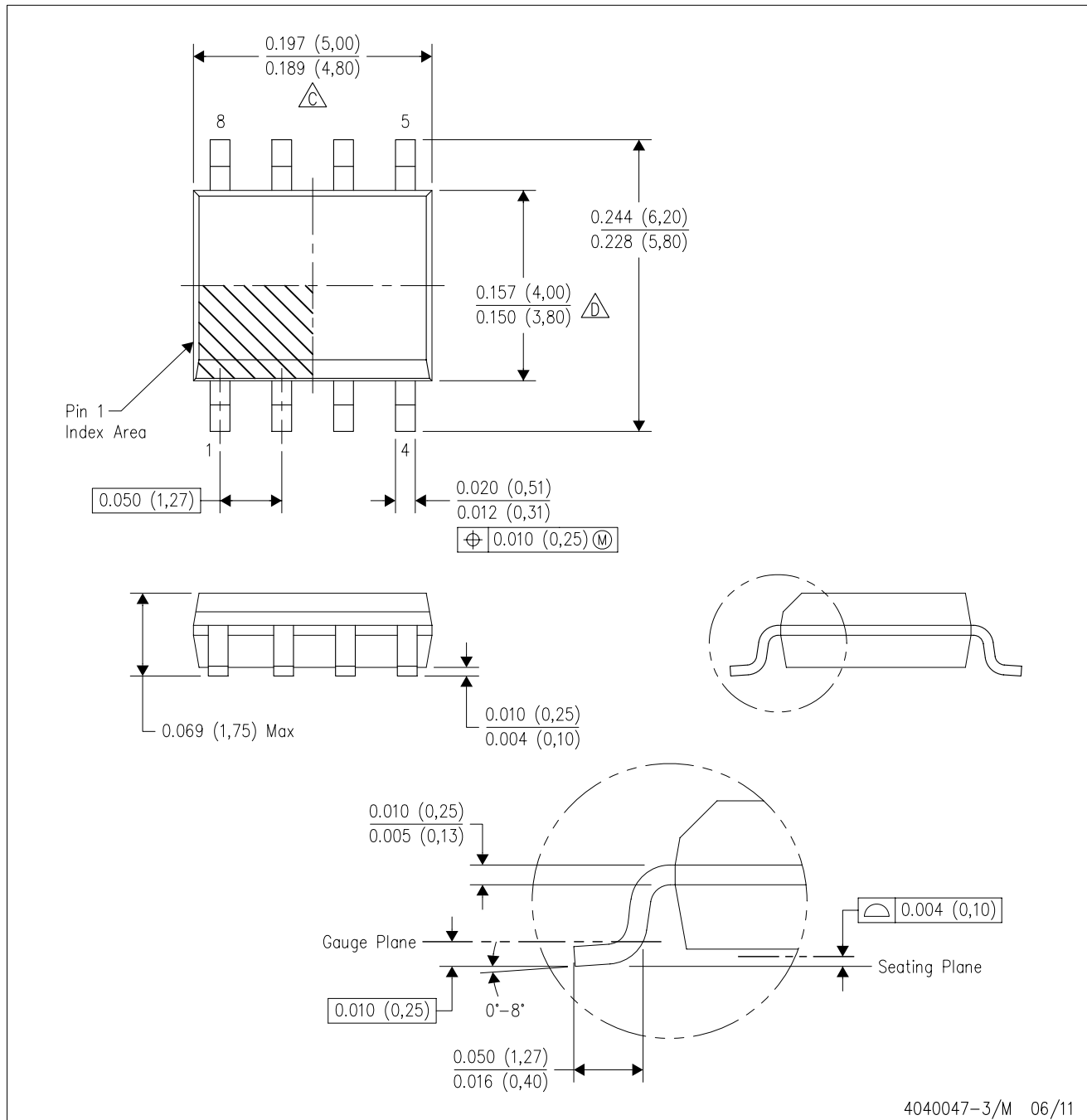


CONTROLLING DIMENSION IS INCH
VALUES IN [] ARE IN MILLIMETERS

H03H (Rev F)

D (R-PDSO-G8)

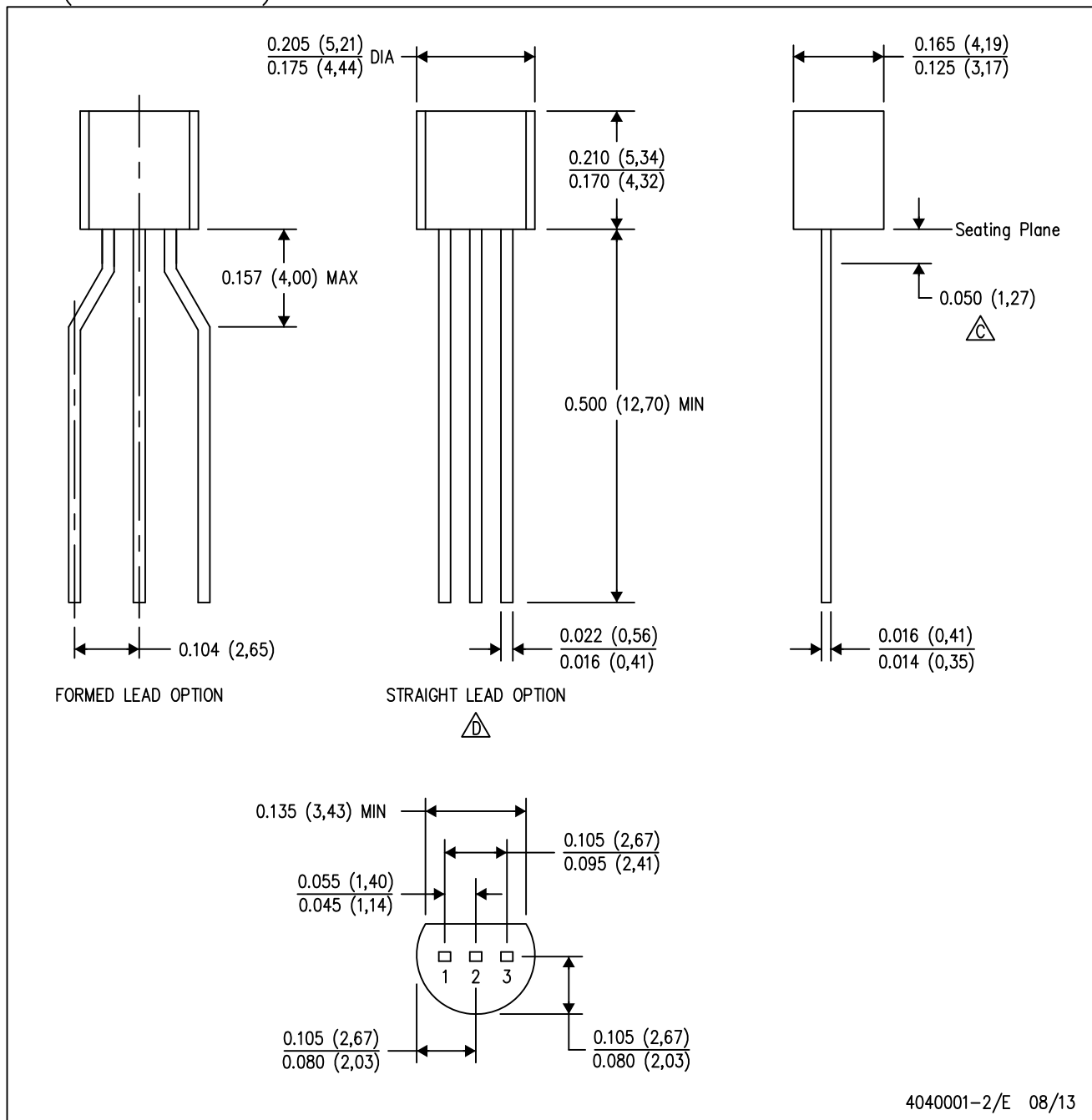
PLASTIC SMALL OUTLINE





- NOTES:
- A. All linear dimensions are in inches (millimeters).
 - B. This drawing is subject to change without notice.
 - Body length does not include mold flash, protrusions, or gate burrs. Mold flash, protrusions, or gate burrs shall not exceed 0.006 (0,15) each side.
 - Body width does not include interlead flash. Interlead flash shall not exceed 0.017 (0,43) each side.
 - E. Reference JEDEC MS-012 variation AA.

LP (O-PBCY-W3)

PLASTIC CYLINDRICAL PACKAGE



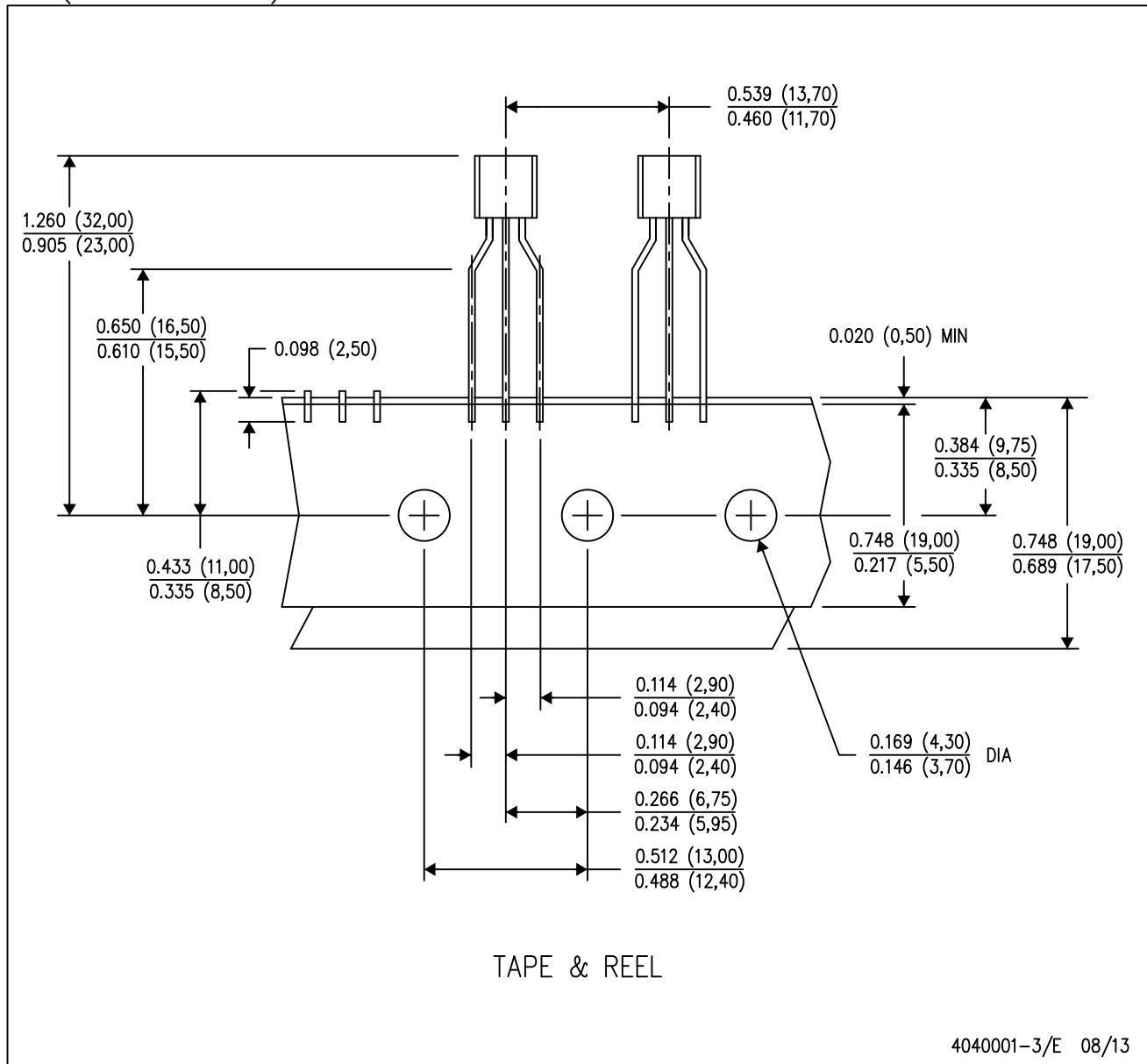
4040001-2/E 08/13

- NOTES:
- A. All linear dimensions are in inches (millimeters).
 - B. This drawing is subject to change without notice.
 -  Lead dimensions are not controlled within this area.
 -  Falls within JEDEC TO-226 Variation AA (TO-226 replaces TO-92).
 - E. Shipping Method:
 Straight lead option available in bulk pack only.
 Formed lead option available in tape & reel or ammo pack.
 Specific products can be offered in limited combinations of shipping mediums and lead options.
 Consult product folder for more information on available options.

MECHANICAL DATA

LP (O-PBCY-W3)

PLASTIC CYLINDRICAL PACKAGE



- NOTES:
- A. All linear dimensions are in inches (millimeters).
 - B. This drawing is subject to change without notice.
 - C. Tape and Reel information for the Formed Lead Option package.

IMPORTANT NOTICE

Texas Instruments Incorporated and its subsidiaries (TI) reserve the right to make corrections, enhancements, improvements and other changes to its semiconductor products and services per JESD46, latest issue, and to discontinue any product or service per JESD48, latest issue. Buyers should obtain the latest relevant information before placing orders and should verify that such information is current and complete. All semiconductor products (also referred to herein as "components") are sold subject to TI's terms and conditions of sale supplied at the time of order acknowledgment.

TI warrants performance of its components to the specifications applicable at the time of sale, in accordance with the warranty in TI's terms and conditions of sale of semiconductor products. Testing and other quality control techniques are used to the extent TI deems necessary to support this warranty. Except where mandated by applicable law, testing of all parameters of each component is not necessarily performed.

TI assumes no liability for applications assistance or the design of Buyers' products. Buyers are responsible for their products and applications using TI components. To minimize the risks associated with Buyers' products and applications, Buyers should provide adequate design and operating safeguards.

TI does not warrant or represent that any license, either express or implied, is granted under any patent right, copyright, mask work right, or other intellectual property right relating to any combination, machine, or process in which TI components or services are used. Information published by TI regarding third-party products or services does not constitute a license to use such products or services or a warranty or endorsement thereof. Use of such information may require a license from a third party under the patents or other intellectual property of the third party, or a license from TI under the patents or other intellectual property of TI.

Reproduction of significant portions of TI information in TI data books or data sheets is permissible only if reproduction is without alteration and is accompanied by all associated warranties, conditions, limitations, and notices. TI is not responsible or liable for such altered documentation. Information of third parties may be subject to additional restrictions.

Resale of TI components or services with statements different from or beyond the parameters stated by TI for that component or service voids all express and any implied warranties for the associated TI component or service and is an unfair and deceptive business practice. TI is not responsible or liable for any such statements.

Buyer acknowledges and agrees that it is solely responsible for compliance with all legal, regulatory and safety-related requirements concerning its products, and any use of TI components in its applications, notwithstanding any applications-related information or support that may be provided by TI. Buyer represents and agrees that it has all the necessary expertise to create and implement safeguards which anticipate dangerous consequences of failures, monitor failures and their consequences, lessen the likelihood of failures that might cause harm and take appropriate remedial actions. Buyer will fully indemnify TI and its representatives against any damages arising out of the use of any TI components in safety-critical applications.

In some cases, TI components may be promoted specifically to facilitate safety-related applications. With such components, TI's goal is to help enable customers to design and create their own end-product solutions that meet applicable functional safety standards and requirements. Nonetheless, such components are subject to these terms.

No TI components are authorized for use in FDA Class III (or similar life-critical medical equipment) unless authorized officers of the parties have executed a special agreement specifically governing such use.

Only those TI components which TI has specifically designated as military grade or "enhanced plastic" are designed and intended for use in military/aerospace applications or environments. Buyer acknowledges and agrees that any military or aerospace use of TI components which have **not** been so designated is solely at the Buyer's risk, and that Buyer is solely responsible for compliance with all legal and regulatory requirements in connection with such use.

TI has specifically designated certain components as meeting ISO/TS16949 requirements, mainly for automotive use. In any case of use of non-designated products, TI will not be responsible for any failure to meet ISO/TS16949.

Products

Audio	www.ti.com/audio
Amplifiers	amplifier.ti.com
Data Converters	dataconverter.ti.com
DLP® Products	www.dlp.com
DSP	dsp.ti.com
Clocks and Timers	www.ti.com/clocks
Interface	interface.ti.com
Logic	logic.ti.com
Power Mgmt	power.ti.com
Microcontrollers	microcontroller.ti.com
RFID	www.ti-rfid.com
OMAP Applications Processors	www.ti.com/omap
Wireless Connectivity	www.ti.com/wirelessconnectivity

Applications

Automotive and Transportation	www.ti.com/automotive
Communications and Telecom	www.ti.com/communications
Computers and Peripherals	www.ti.com/computers
Consumer Electronics	www.ti.com/consumer-apps
Energy and Lighting	www.ti.com/energy
Industrial	www.ti.com/industrial
Medical	www.ti.com/medical
Security	www.ti.com/security
Space, Avionics and Defense	www.ti.com/space-avionics-defense
Video and Imaging	www.ti.com/video

TI E2E Community

e2e.ti.com