

**LA4145**

0.6 to 0.9 W AF Power Amplifier for Radio Cassette Recorders

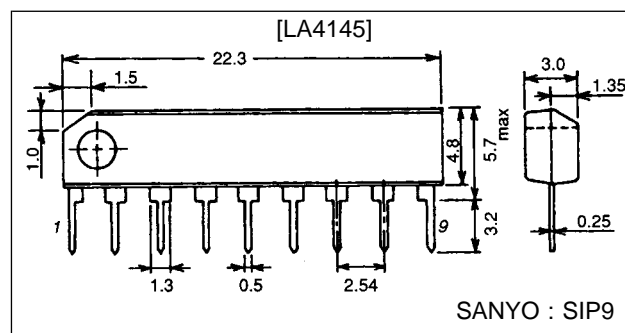
Features

- The LA4145 is especially suited for use in cassette tape recorder, radio-cassette, recorder, stereo cassette player applications.
- 0.6 W typ/ $V_{CC} = 6.0$ V, $R_L = 8 \Omega$, THD = 10%
- 0.9 W typ/ $V_{CC} = 6.0$ V, $R_L = 4 \Omega$, THD = 10%
- Minimum number of external parts required
- Soft clip
- Small pop noise at V_{CC} ON/OFF mode
- Voltage gain fixed at 50 dB.
An external resistor can be connected to reduce this value.

Package Dimensions

unit : mm

3017C-SIP9



Specifications

Maximum Ratings at $T_a = 25^\circ\text{C}$

Parameter	Symbol	Conditions	Ratings	Unit
Maximum supply voltage	V_{CC} max	Quiescent mode	9	V
		Operating mode $R_L = 8 \Omega$	8	V
Maximum output current	I_O peak		500	mA
Allowable power dissipation	P_d max	$50 \times 50 \text{ mm}^2$ with PCB	0.9	W
Operating temperature	T_{opr}		-20 to +70	$^\circ\text{C}$
Storage temperature	T_{stg}		-40 to +150	$^\circ\text{C}$

Operating Conditions at $T_a = 25^\circ\text{C}$

Parameter	Symbol	Conditions	Ratings	Unit
Recommended supply voltage	V_{CC}		6	V
Recommended load resistance	R_L		4 to 8	Ω
Operating voltage range	V_{CC}		3.6 to 8	V

Operating Characteristics at $T_a = 25^\circ\text{C}$, $V_{CC} = 6.0$ V, $R_L = 8 \Omega$, $R_g = 600 \Omega$, $f = 1$ kHz

Parameter	Symbol	Conditions	min	typ	max	Unit
Quiescent current	I_{CCO}	LA4145		10	20	mA
Voltage gain	VG		48	50	52	dB
Output power	P_O	THD = 10%, $R_L = 4 \Omega$		0.9		W
		THD = 10%, $R_L = 8 \Omega$	0.45	0.6		W
Total harmonic distortion	THD	$P_O = 0.1$ W		0.2	1.0	%
Input resistance	r_i			30		k Ω
Output noise voltage	V_{NO}	$R_g = 10$ k Ω , B.P.F. = 20 Hz to 20 kHz		0.6	1.2	mV
Ripple rejection ratio	SVRR	$R_g = 0$, $f_R = 100$ Hz, $V_R = 150$ mV	-35	-40		dB

SANYO Electric Co., Ltd. Semiconductor Business Headquarters

TOKYO OFFICE Tokyo Bldg., 1-10, 1 Chome, Ueno, Taito-ku, TOKYO, 110 JAPAN

53096HA(II)/O217KI/N055MW/4034/N163KI, TS No.1339-1/5

Proper care in changing voltage gain

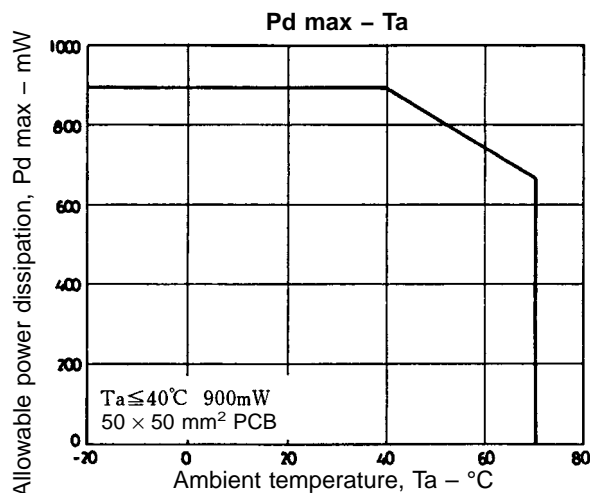
An external resistor can be connected in series with the feedback capacitor at pin 2 to reduce the voltage gain. (See RNF-VG characteristic.)

IC usage notes

1. Maximum ratings
If the IC is used in the vicinity of the maximum ratings, even a slight variation in conditions may cause the maximum ratings to be exceeded, thereby leading to breakdown. Allow an ample margin of variation for supply voltage, etc. and use the IC in the range where the maximum ratings are not exceeded.
2. Pin-to-pin short
If power is applied when the space between pins is shorted, breakdown or deterioration may occur. When mounting the IC on the board or applying power, make sure that the space between pins is not shorted with solder, etc.
3. Radio applications
For use in radio applications, keep a good distance between IC and bar antenna.
4. Printed circuit pattern
When designing the printed circuit pattern, make the power supply, output, and ground lines thicker and shorter and determine the pattern and parts placement so that no feedback loop is formed between input and output. Place power capacitor C_6 , oscillation blocking capacitor C_3 as close to the IC pin as possible to prevent oscillation from occurring. (See the sample printed circuit pattern.)

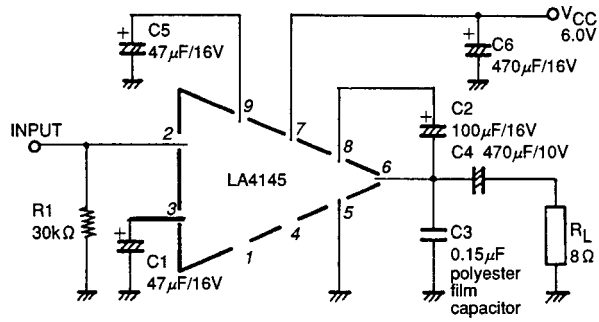
Description of external parts

C_1 (47 μ F)	Feedback capacitor (NF capacitor)	Low cutoff frequency f_L depends on this capacitor. $f_L = 90$ Hz for $C_1 = 47$ μ F. Decreasing the capacitor value makes the starting time earlier.
C_2 (100 μ F)	Bootstrap capacitor	
C_3 (0.15 μ F)	Oscillation blocking capacitor	It is recommended to use a polyester film capacitor being good in temperature characteristic, high frequency characteristic.
C_4 (470 μ F)	Output capacitor	
C_5 (47 μ F)	Decoupling capacitor	Serves to reject ripple. The starting time depends on this capacitor. Increasing the capacitor value makes the starting time later.
C_6 (470 μ F)	Power capacitor	Place as close to the power pin of the IC as possible.
R_1 (30 k Ω)	Input bias resistor	Serves to apply input bias. The input impedance almost entirely depends on this resistor value. If a variable resistor also serves for this purpose, this resistor can be omitted. In this case, it is recommended to use a resistor of 30 k Ω .

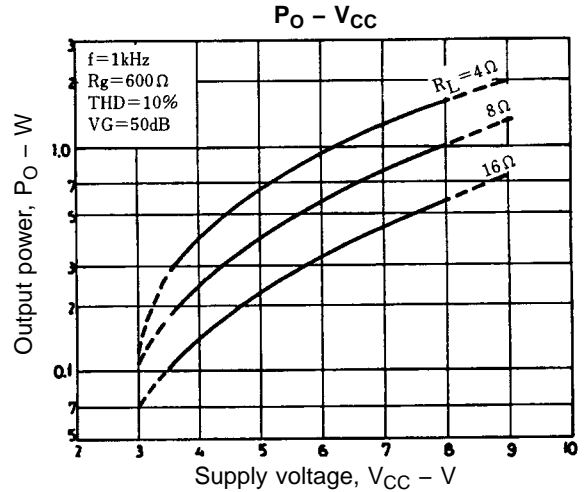
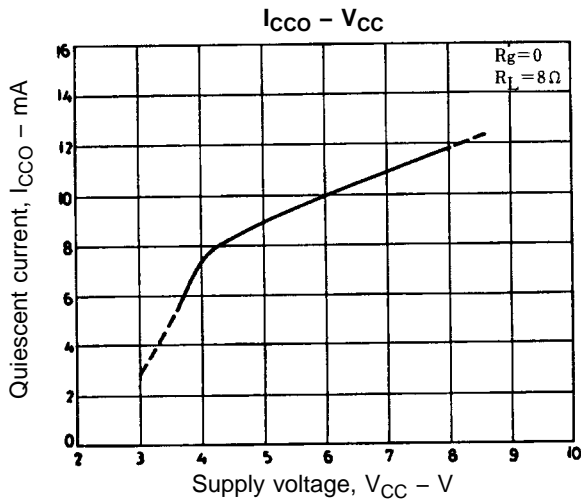
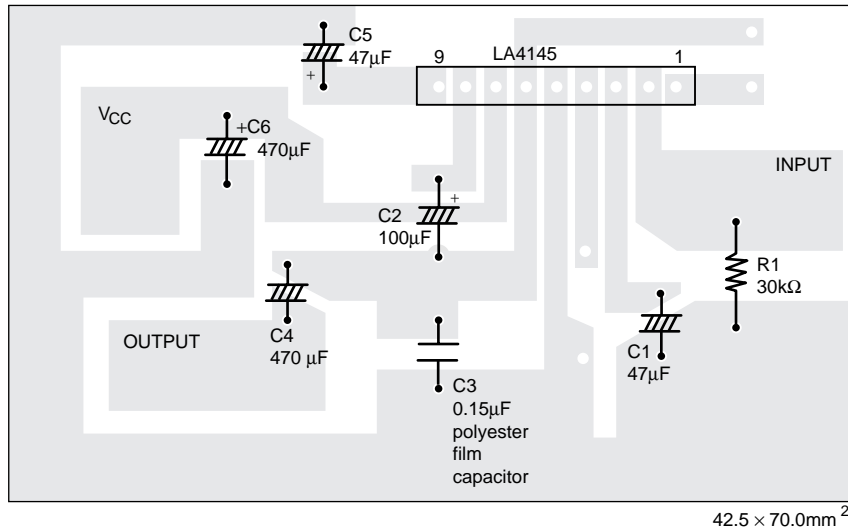


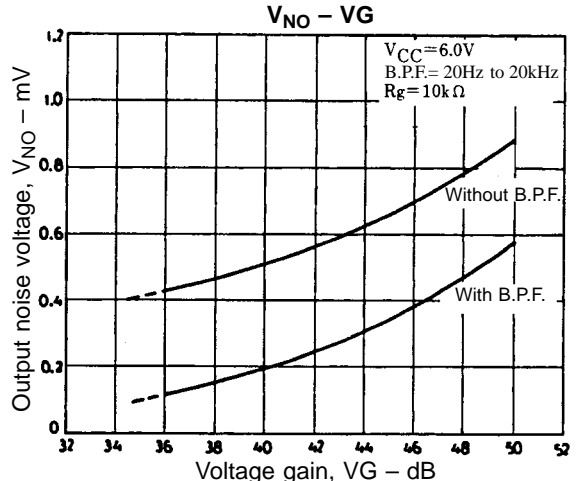
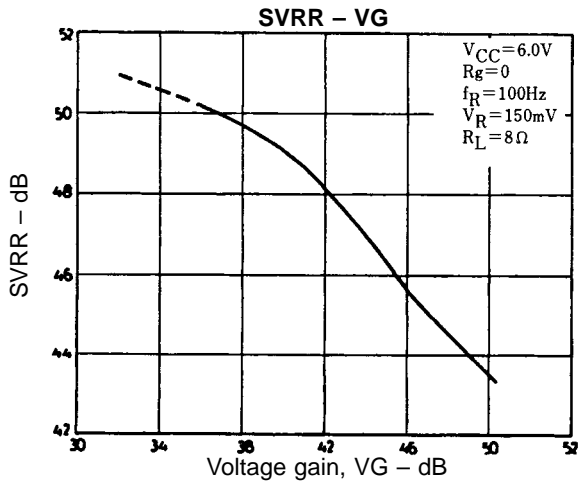
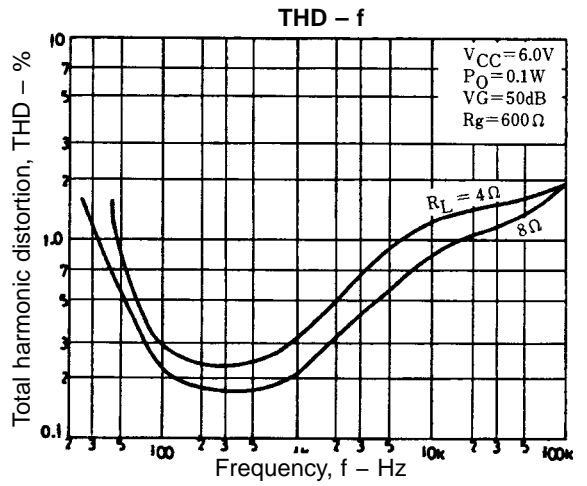
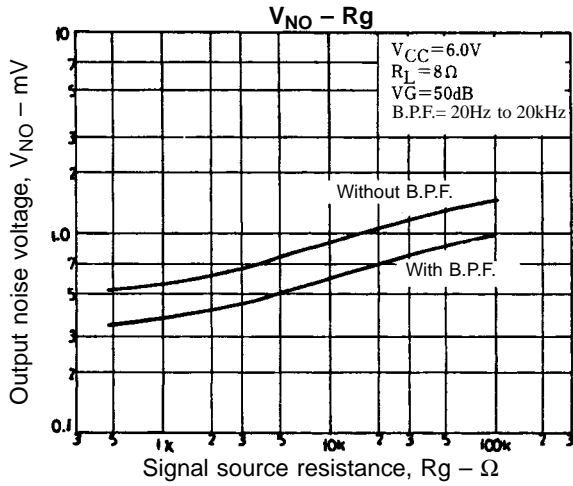
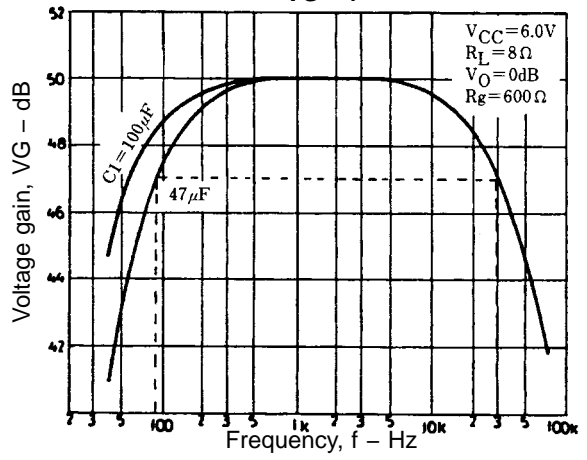
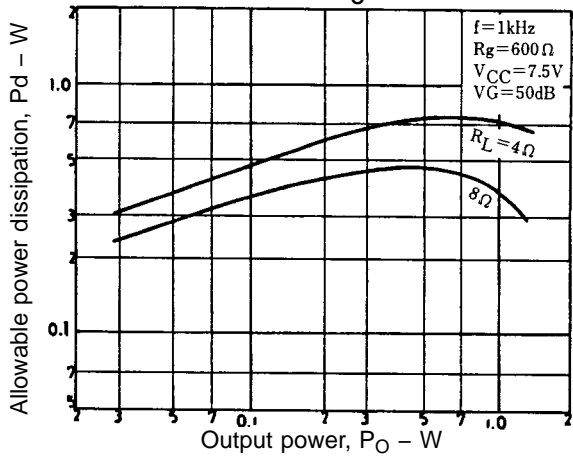
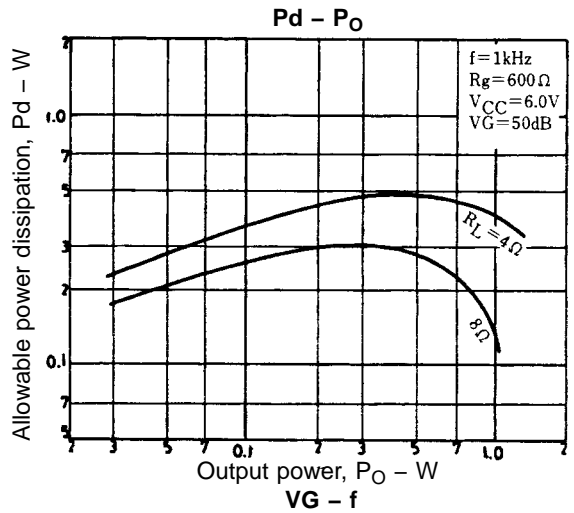
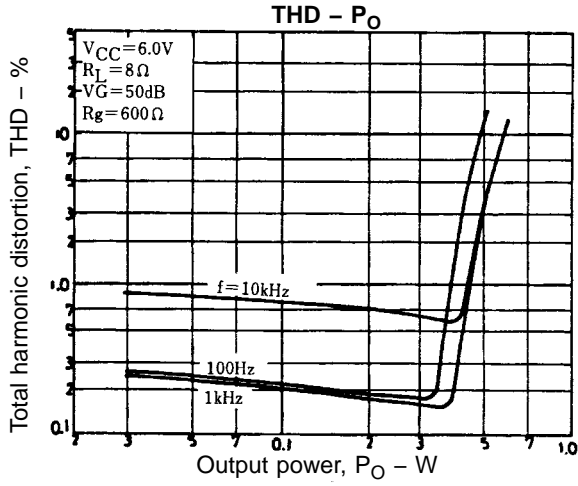
LA4145

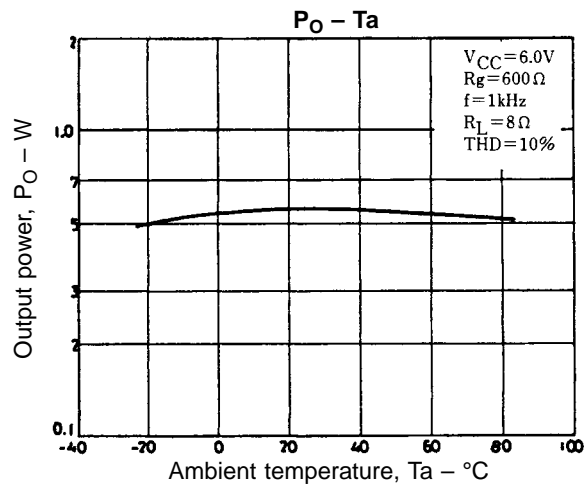
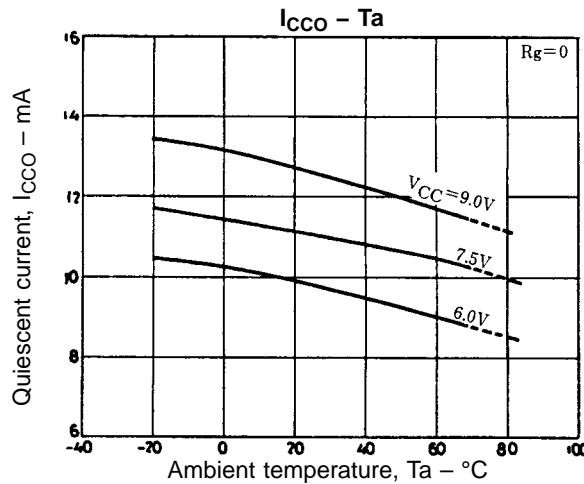
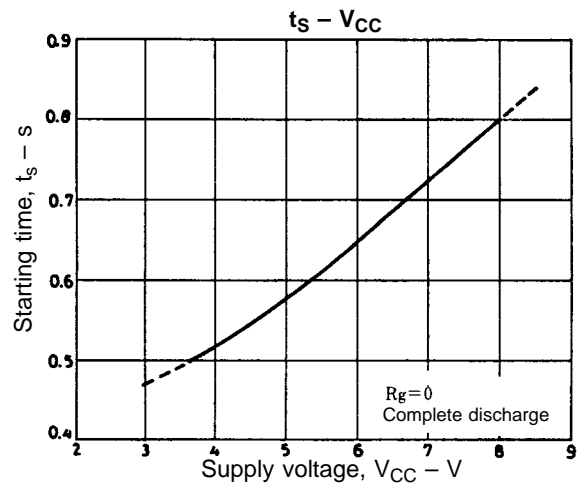
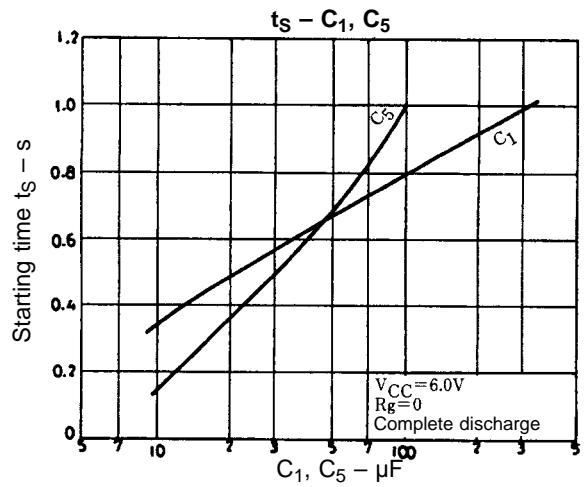
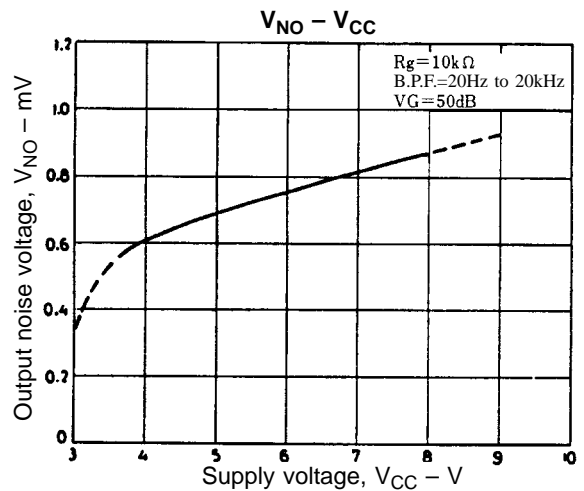
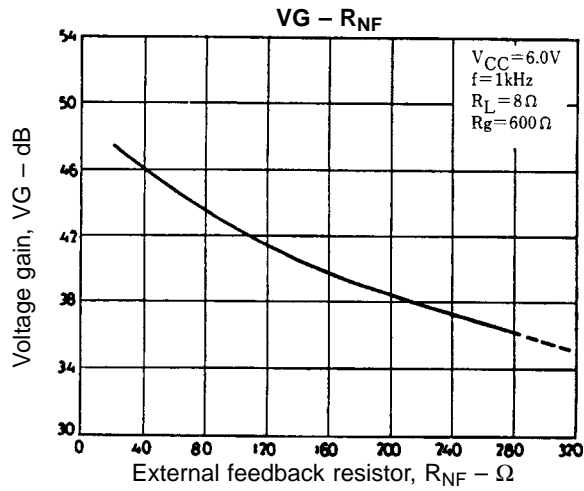
Sample Application Circuit: AF power amplifier



Sample Printed Circuit Pattern (Cu-foiled area)







- No products described or contained herein are intended for use in surgical implants, life-support systems, aerospace equipment, nuclear power control systems, vehicles, disaster/crime-prevention equipment and the like, the failure of which may directly or indirectly cause injury, death or property loss.
- Anyone purchasing any products described or contained herein for an above-mentioned use shall:
 - ① Accept full responsibility and indemnify and defend SANYO ELECTRIC CO., LTD., its affiliates, subsidiaries and distributors and all their officers and employees, jointly and severally, against any and all claims and litigation and all damages, cost and expenses associated with such use:
 - ② Not impose any responsibility for any fault or negligence which may be cited in any such claim or litigation on SANYO ELECTRIC CO., LTD., its affiliates, subsidiaries and distributors or any of their officers and employees jointly or severally.
- Information (including circuit diagrams and circuit parameters) herein is for example only; it is not guaranteed for volume production. SANYO believes information herein is accurate and reliable, but no guarantees are made or implied regarding its use or any infringements of intellectual property rights or other rights of third parties.

This catalog provides information as of May, 1996. Specifications and information herein are subject to change without notice.